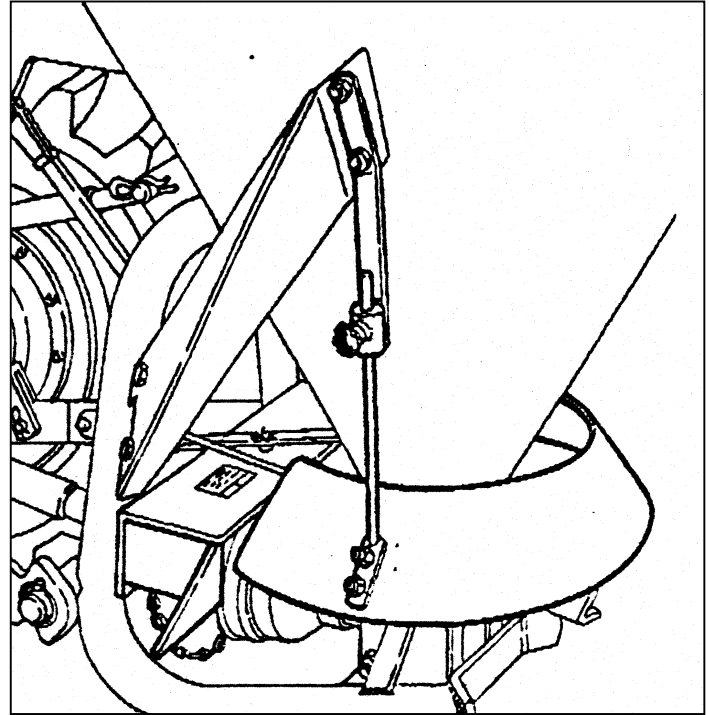
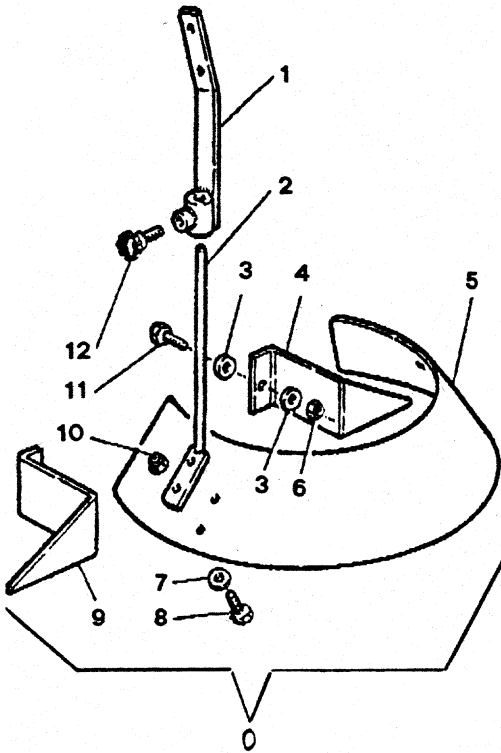


AGRICULTURAL MACHINERY
sitrex®
 s.r.l.

FS SPREADER



DEFLECTOR KIT FOR SPREADING SALT AND SAND PART NO. 400.091

ITEM	PART NO.	Q.ty	DESCRIPTION	Note
0	1	400.091	KIT, COMPLETE	
1	2	400.092	HOPPER SUPPORT	
2	2	400.093	ADJUSTMENT PIPE	
3	4	600.887	WASHER	
4	1	400.094	DECK DEFLECTOR, R.H.	
5	1	400.095	CONE-SHAPED DEFLECTOR	
6	2	600.888	NUT	
7	4	600.889	WASHER	
8	4	600.890	SCREW	
9	1	400.096	DECK DEFLECTOR, L.H.	
10	4	600.891	NUT	
11	2	600.892	SCREW	
12	2	600.893	HANDWHEEL	