

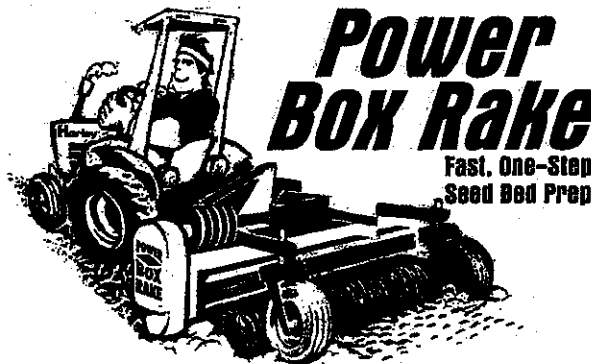
Harley

Model T-6

E ~ Series Rakes

Serial Numbers

T60E301 - T61E300



Parts requirements are subject to change without notice and parts may be substituted by Glenmac, Inc.

Please refer to the latest parts price book for current parts pricing, or call (800) 437-9779, Fax (701) 251-9259, E-mail customer_service@glenmac.com

DECALS

! DANGER



**ROTATING DRIVELINE
CONTACT CAN CAUSE DEATH
KEEP AWAY!**

DO NOT OPERATE WITHOUT –

- ALL DRIVELINE GUARDS, TRACTOR AND EQUIPMENT SHIELDS IN PLACE
- DRIVELINES SECURELY ATTACHED AT BOTH ENDS
- DRIVELINE GUARDS THAT TURN FREELY ON DRIVELINE

#1 - PN: P970400

! DANGER



ROTATING PART HAZARD

- KEEP HANDS, HAIR AND CLOTHING AWAY FROM MOVING PARTS.
- CLOSE AND SECURE ALL SHIELDS BEFORE OPERATING.

**FAILURE TO DO SO COULD RESULT IN
SERIOUS INJURY OR DEATH**

#2 - PN: P970300

! DANGER



ROTATING PART HAZARD

- KEEP HANDS, HAIR AND CLOTHING AWAY FROM MOVING PARTS.
- CLOSE AND SECURE ALL SHIELDS BEFORE OPERATING.

**FAILURE TO DO SO COULD RESULT IN
SERIOUS INJURY OR DEATH** P970301

#3 - PN: P970301

! WARNING

DO NOT ALLOW ANYONE TO OPERATE POWER RAKE WHO HAS NOT BEEN PROPERLY TRAINED IN ITS SAFE OPERATION AND HAS NOT READ AND UNDERSTOOD THE OPERATOR'S MANUAL.

BEFORE ATTACHING, CHECK TRACTOR'S 3PT. LIFT CAPACITY TO ENSURE ITS ABILITY TO SAFELY HANDLE THE WEIGHT.

MAX. PTO SPEED IS 640 RPM'S.

DO NOT OPERATE WITHOUT GUARDS/SHIELDS IN PLACE AND IN GOOD WORKING ORDER.

STOP ALL MOVING PARTS INCLUDING TRACTOR ENGINE BEFORE CLEANING, UNPLUGGING, ADJUSTING, AND/OR PERFORMING MAINTENANCE.

KEEP BYSTANDERS 10 FEET FROM POWER RAKE WHEN IN OPERATION.

FAILURE TO FOLLOW THE ABOVE SAFETY SUGGESTIONS AND THOSE IN THE OPERATOR'S MANUAL CAN RESULT IN SERIOUS INJURY OR DEATH.

#4 - PN: P970100

! DANGER

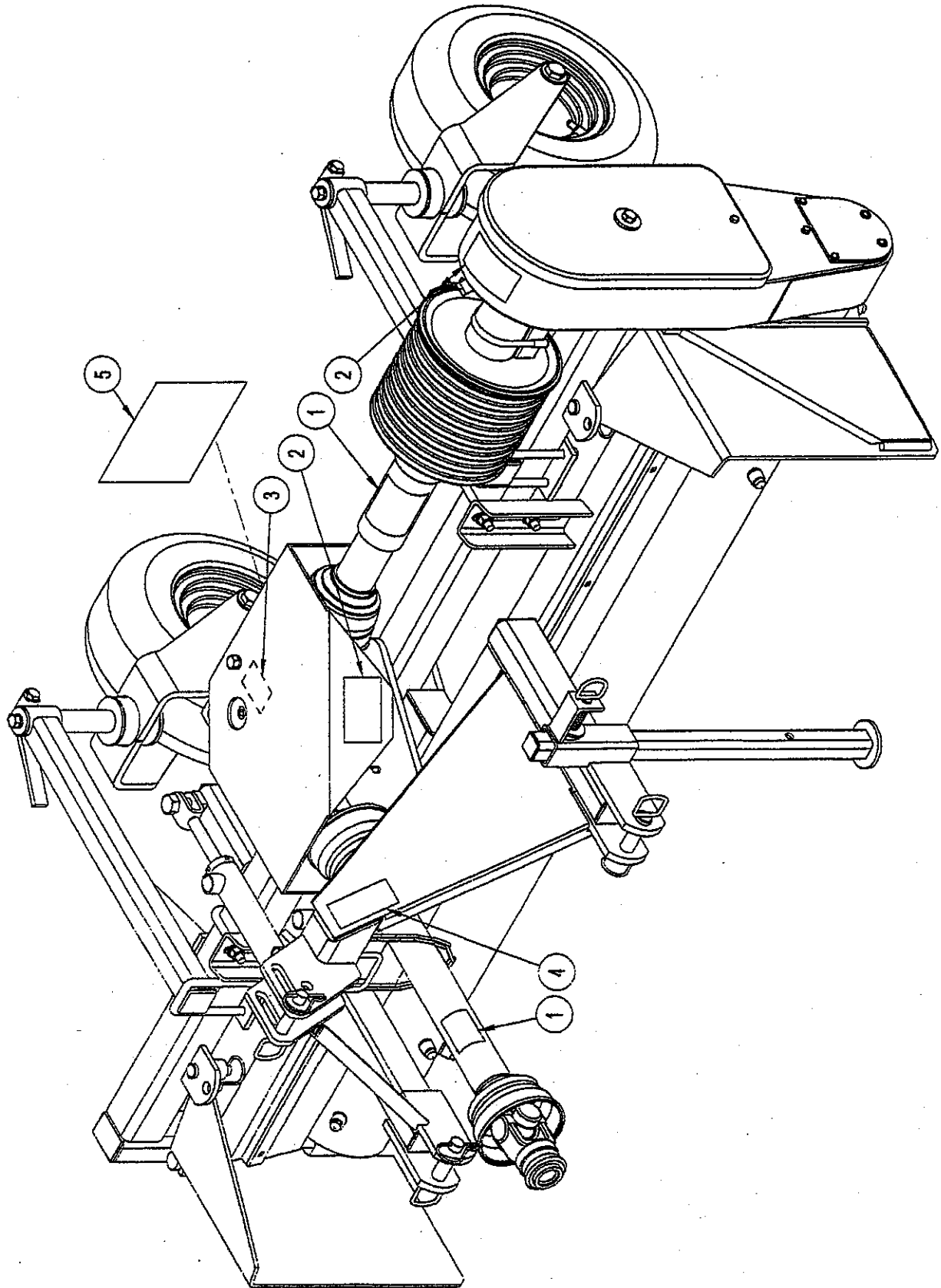


- Stay at least 9 feet (3m) away from operating equipment.
- Flying objects and rotating parts can cause injury or death.
- Stop engine before cleaning or servicing.
- Keep all guards in place.

P970250

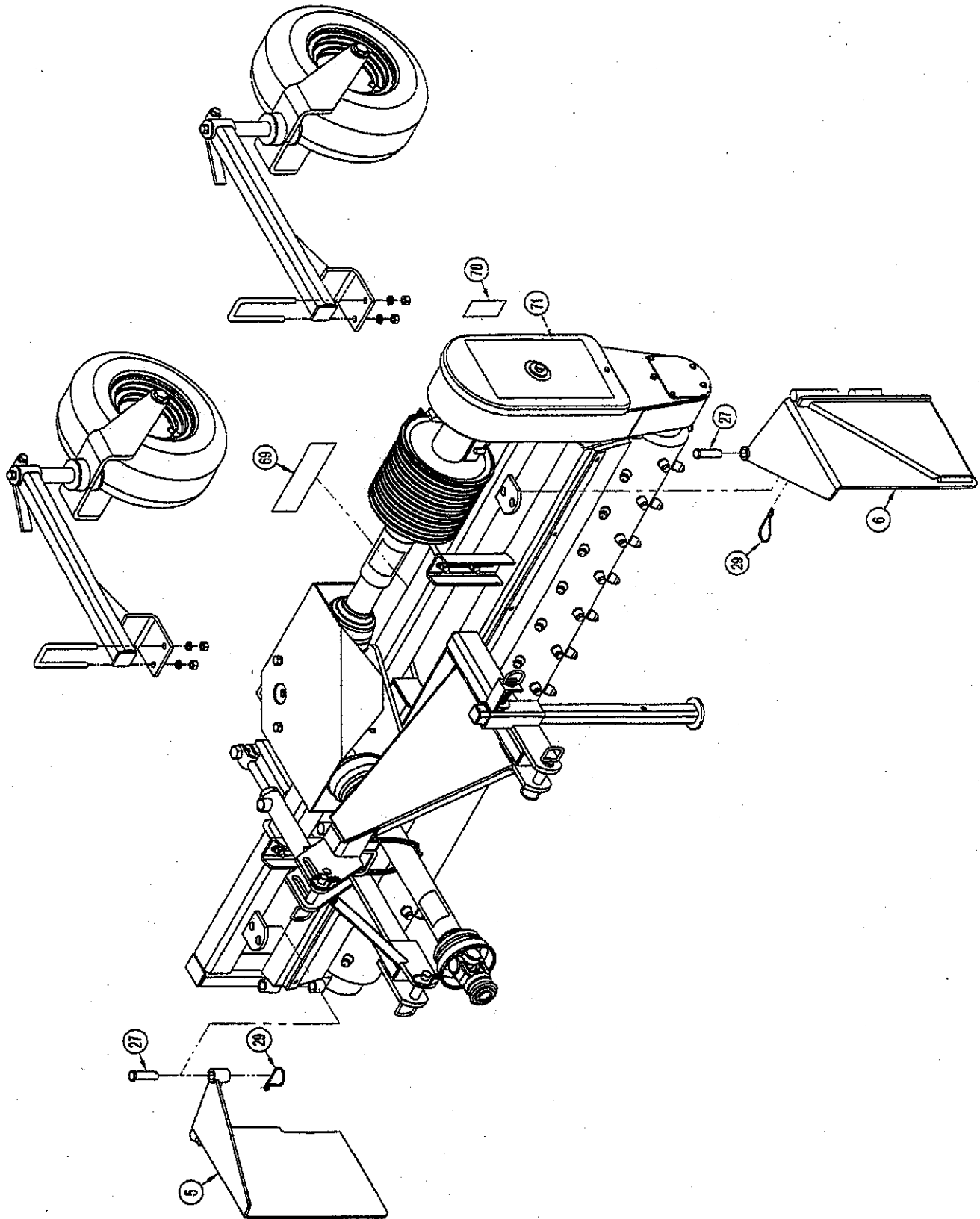
#5 - PN: P970250

DECALS

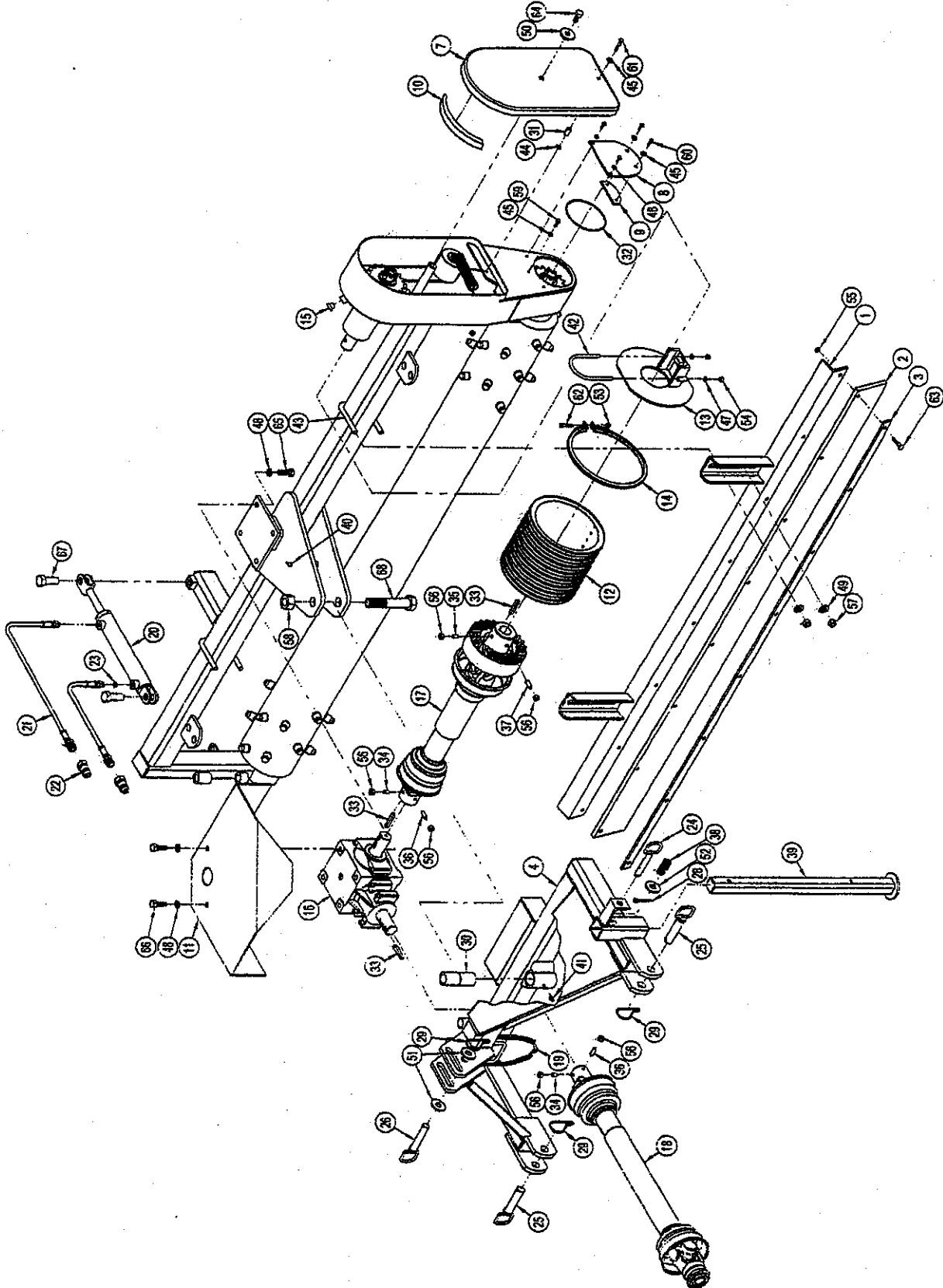


NOTES

GENERAL ASSEMBLY



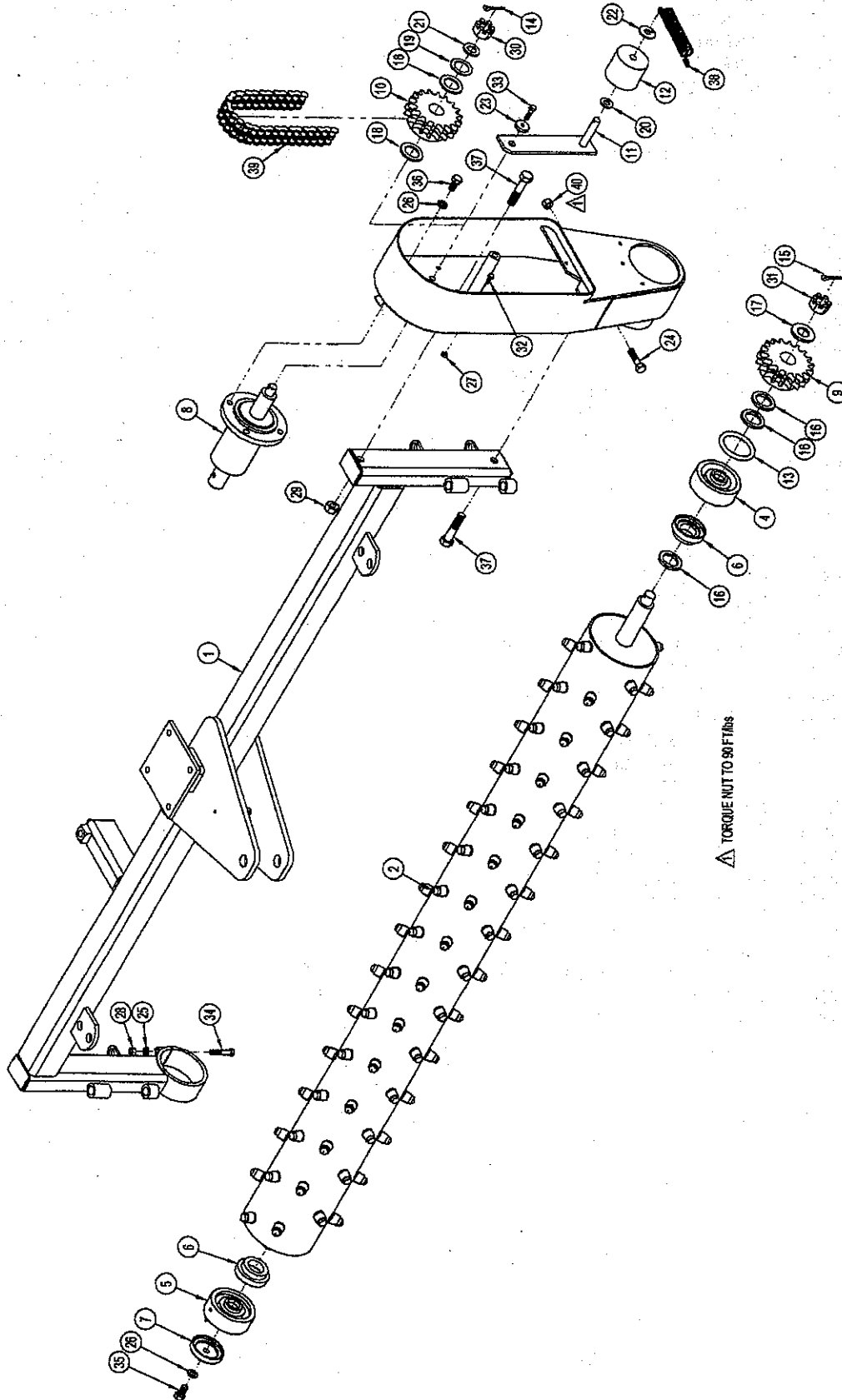
FRAME ASSEMBLY



GENERAL ASSEMBLY & FRAME ASSEMBLY PARTS LIST

ITEM	QTY	PART NO.	DESCRIPTION	ITEM	QTY	PART NO.	DESCRIPTION
1	1	M6524	BARRIER MOUNT	43	2	P128318	1/2" X 3.00 X 4-1/4" U-BOLT
2	1	M6427	BARRIER	44	1	P500302	1/4" RUBBER FACE WASHER
3	1	M6428	BARRIER STRAP	45	4	P500300	1/4" O-RING WASHER
4	1	M6487	MAST FRAME	46	2	P851104	1/4" LOCK WASHER
5	1	M6624	RIGHT END PLATE	47	2	P851105	5/16" LOCK WASHER
6	1	M6625	LEFT END PLATE	48	6	P851108	1/2" LOCK WASHER
7	1	M8624	CHAIN CASE COVER	49	4	P852608	1/2" HARD WASHER
8	1	M8241	LOWER COVER	50	1	M5009-5	3/16" X 1/2" X 1-3/4" WASHER
9	1	M8272	COVER TAB	51	2	P850812	3/4" SAE WASHER
10	1	M8626	COVER SEAL	52	1	P852001	16mm WASHER
11	1	M6224	GEAR BOX SHIELD	53	1	P158003	1/4" ELSTIC STOP NUT
12	1	M6262	CLUTCH SHIELD	54	2	P150500	5/16" HEX NUT
13	1	M6258	SHIELD MOUNT	55	8	P155350	5/16" TOP LOCK NUT
14	1	P128605	BAND CLAMP	56	6	P155400	3/8" HEX JAM NUT
15	1	P278001	VENT PLUG	57	4	P158005	1/2" ELASTIC STOP NUT
16	1	P205400	GEAR BOX 2:1	58	1	P156401	1" LOCK NUT
17	1	P400850-1	SIDE PTO W/CLUTCH	59	1	P100402	1/4" X 1/2" HEX BOLT
		P400850-2	SIDE PTO LESS CLUTCH	60	4	P110901	1/4" X 3/4" BUTTON HD SCREW
18	1	P400100-1	FRONT 1/2" FRONT PTO	61	1	P100406	1/4" X 1-1/2" HEX BOLT
		P400100-2	BACK 1/2" FRONT PTO	62	1	P115406	1/4" X 1-1/2" FILLISTER HD SCREW
19	1	M6266	PTO SUPPORT CHAIN	63	8	P104506	5/16" X 1-1/2" CARRIAGE BOLT
20	1	P256000	1-1/2" HYDRAULIC CYLINDER	64	1	P100804	1/2" X 1" HEX BOLT
21	2	P246472	1/4" HOSE X 72" 8MP X 6MB	65	4	P100806	1/2" X 1-1/2" HEX BOLT
22	2	P272600	QUICK COUPLER	66	2	P100808	1/2" X 2" HEX BOLT
23	1	P270400	RESTRICTOR PLUG	67	2	P103208	3/4" X 2" HEX BOLT
24	1	M8263	JACK PIN 1/2" X 3-5/8"	68	1	P101622	1" X 5-1/2" FINE THD HEX BOLT
25	2	M8073	LOWER HITCH PIN 7/8" X 3-1/2"	69	1	P975800	DECAL: HARLEY
26	1	M5003	UPPER HITCH PIN 3/4" X 3-3/4"	70	1	P970003	DECAL: LUBRICATION
27	2	P120600	GATE PIN 3/4" X 2-7/8"	71	1	P975916	DECAL: T6 POWER BOX RAKE
28	1	P116204	1/8" x 1" COTTER PIN				
29	5	P622600	HAIR PIN CLIP				
30	1	M6637	PIVOT BUSHING				
31	1	P481010	BUSHING SPACER				
32	1	P500202	O-RING 3/32" X 4-3/4"				
33	3	M5000-5	SQ KEY 5/16" X 2"				
34	2	P108610	3/8" X 5/8" SET SCREW				
35	1	P108612	3/8" X 3/4" SET SCREW				
36	2	P108616	3/8" X 1" SET SCREW				
37	1	P108620	3/8" X 1-1/4" SET SCREW				
38	1	P604500	COMPRESSION SPRING				
39	1	M6455	JACK STAND				
40	2	P620000	1/4-28 X 45° GREASE FITTING				
41	1	P620200	1/4-28 STR GREASE FITTING				
42	1	P128500	5/16" U-BOLT				

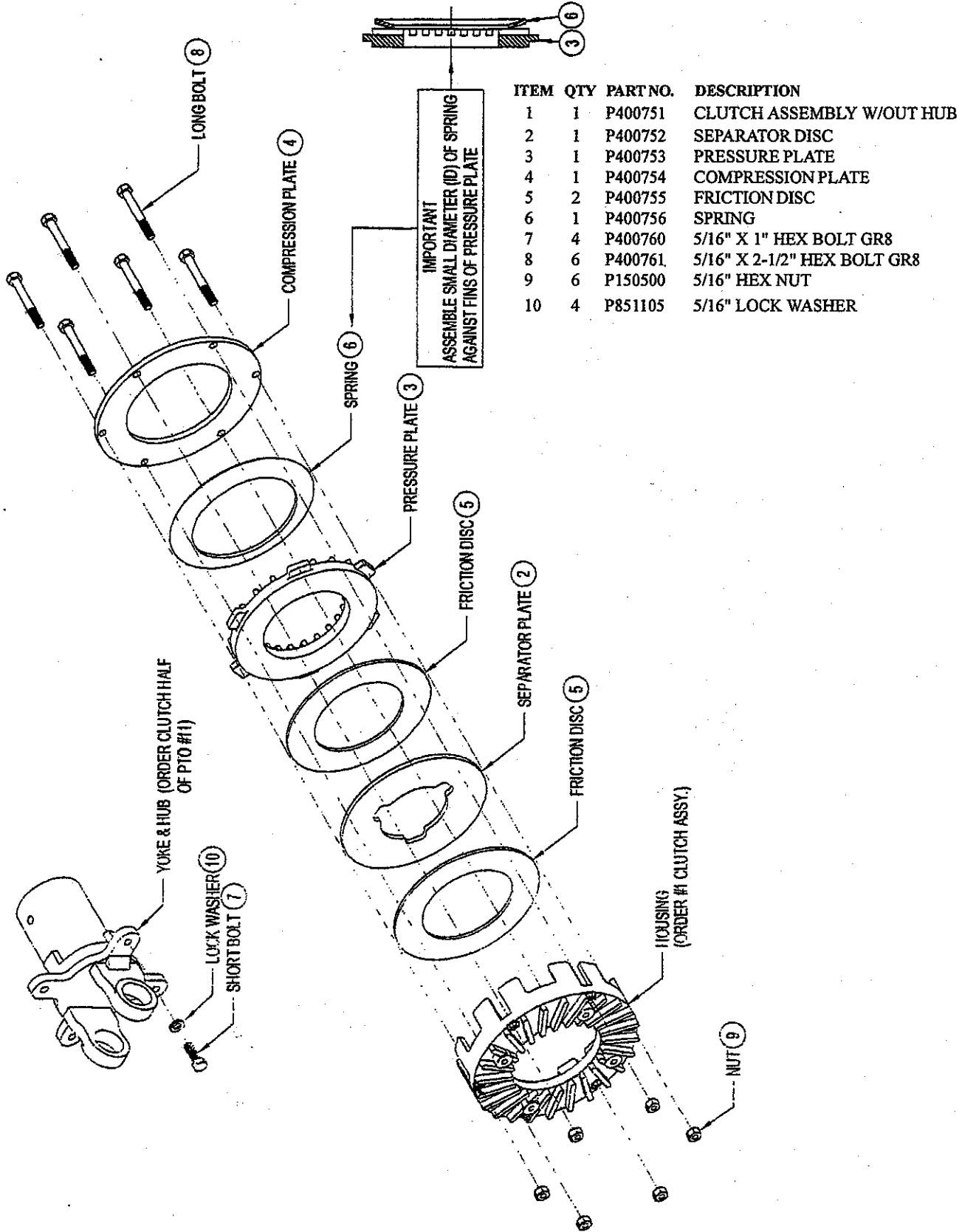
ROLLER ASSEMBLY



ROLLER FRAME ASSEMBLY PARTS LIST

ITEM	QTY	PART NO.	DESCRIPTION
1	1	M6526	MAIN FRAME
2	1	M6503	CARBIDE TOOTH ROLLER
3	1	M6497	CHAIN CASE
4	1	M6687	BEARING DRIVE ASSEMBLY
5	1	M6688	BEARING IDLE ASSEMBLY
	2	P015210	BEARING HOUSING
	2	P010400	1-1/2" BEARING INSERT
6	2	P015308	1-1/2" NON LOCKING COLLAR
7	1	P015307	1-1/2" BEARING CAP
8	1	M8814	BEARING HOUSING ASSEMBLY
9	1	P661802	SPROCKET 18 TOOTH 1-1/2"
10	1	P661800	SPROCKET 18 TOOTH 1-3/8"
11	1	M6491	CHAIN TENSION ARM
12	1	M8812	TENSION IDLER
13	1	P500203	3/8" X 2-5/8" O-RING
14	1	P116256	5/32" X 1-1/2" COTTER PIN
15	1	P116306	3/16" X 1-1/2" COTTER PIN
16	3	M6757	.218 X 1-1/2" ID X 2-1/8" OD SPACER
17	1	M5464	.172 X 1" X 2-1/4" OD SPACER
18	2	P855122	10 GA X 1-3/8" MACHINE BUSHING
19	1	P855322	14 GA X 1-3/8" MACHINE BUSHING
20	1	P850609	9/16" FLAT WASHER
21	1	P850612	3/4" FLAT WASHER
22	1	M6756	PINNED WASHER
23	1	M6630	PIVOT BUSHING
24	1	P102808	1/2" X 2" FINE THD HEX BOLT
25	1	P851106	3/8" LOCK WASHER
26	5	P851108	1/2" LOCK WASHER
27	2	P155350	5/16" TOP LOCK NUT
28	1	P150600	3/8" HEX NUT
29	1	P157500	5/8" TOP LOCK NUT
30	1	P158000	3/4"-16 SLOTTED HEX NUT
31	1	P156402	1" -14 SLOTTED HEX NUT
32	1	P100503	5/16" X 3/4" HEX BOLT
33	1	P100505	5/16" X 1-1/4" HEX BOLT
34	1	P100608	3/8" X 2" HEX BOLT
35	1	P102805	1/2" X 1-1/4" FINE THD HEX BOLT
36	4	P100804	1/2" X 1" HEX BOLT
37	2	P101012	5/8" X 3" HEX BOLT
38	1	P604700	EXTENSION SPRING
39	1	M6509	#60-2 CHAIN 77P W/CONN <i>D631202 Hoef Lub</i>
40	1	P155852	1/2" -20 TOP LOCK NUT
41	1	M8815	BEARING HOUSING
42	1	P635005	1-3/8" DRIVE SHAFT
43	2	P009204	1-3/8" BALL BEARING
44	1	M6301	SLEEVE
45	1	P952200	1-3/8" SNAP RING

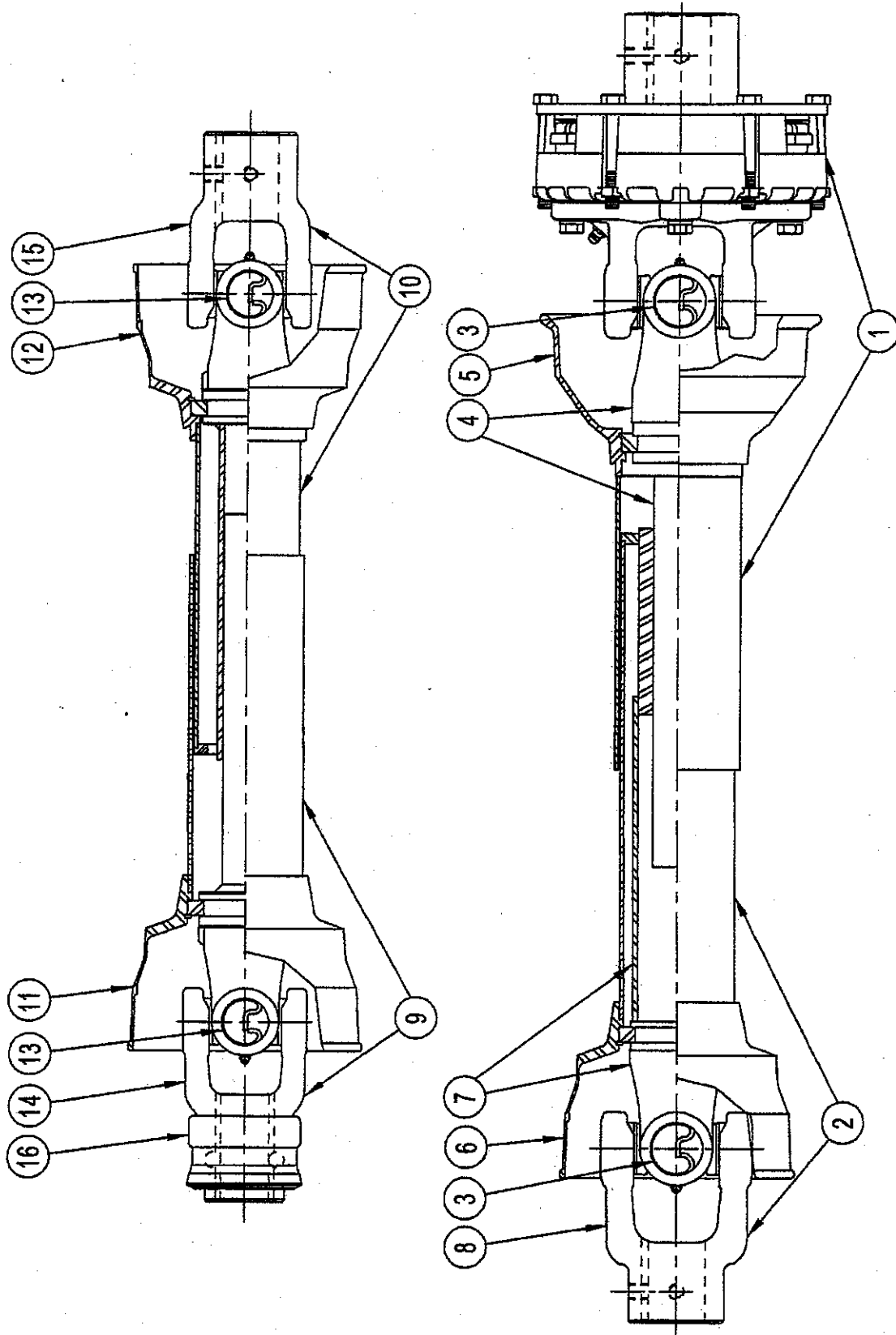
CLUTCH ASSEMBLY



ITEM	QTY	PART NO.	DESCRIPTION
1	1	P400751	CLUTCH ASSEMBLY W/OUT HUB
2	1	P400752	SEPARATOR DISC
3	1	P400753	PRESSURE PLATE
4	1	P400754	COMPRESSION PLATE
5	2	P400755	FRICTION DISC
6	1	P400756	SPRING
7	4	P400760	5/16" X 1" HEX BOLT GR8
8	6	P400761	5/16" X 2-1/2" HEX BOLT GR8
9	6	P150500	5/16" HEX NUT
10	4	P851105	5/16" LOCK WASHER

NOTES

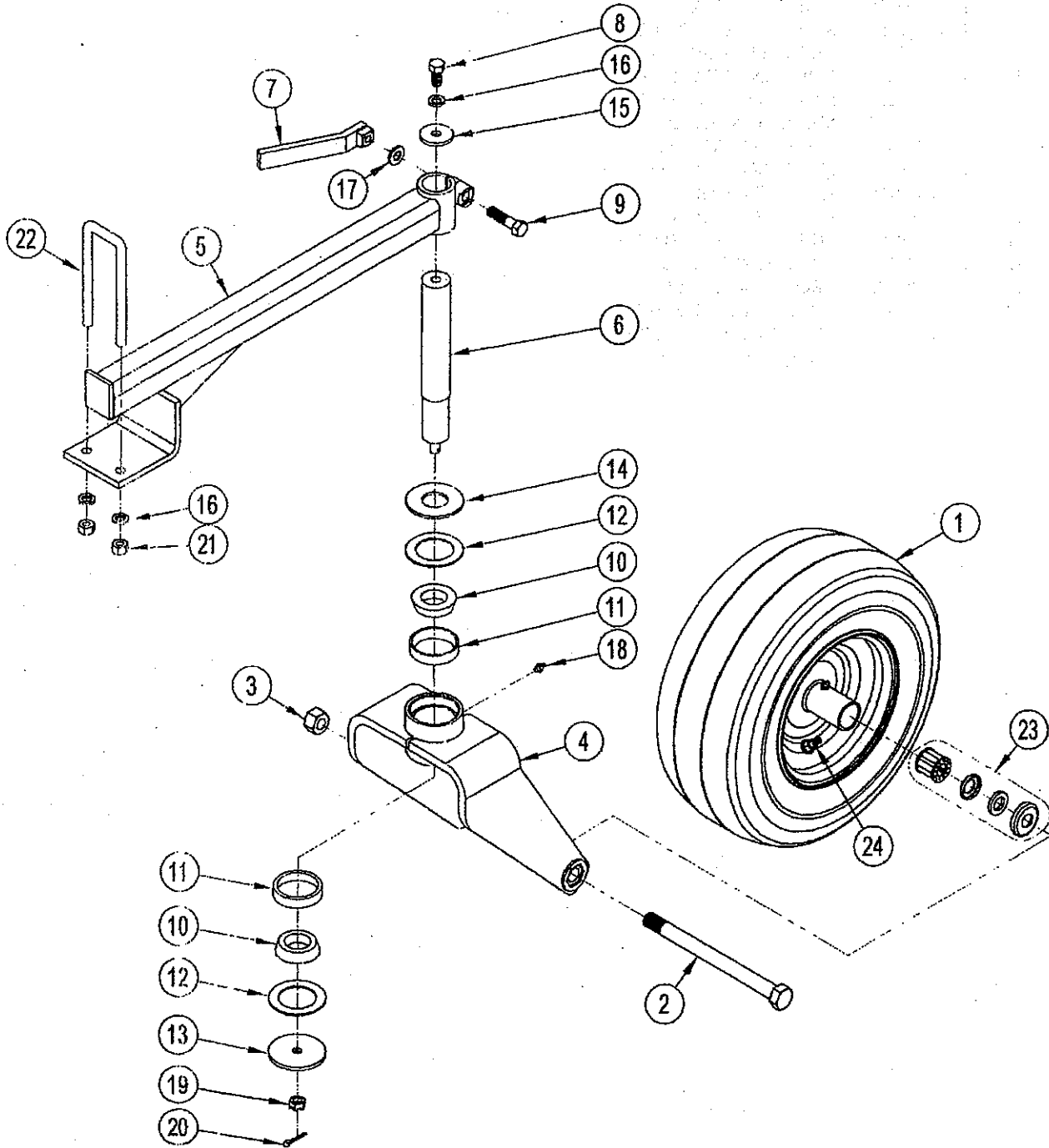
CLUTCH & PTO DRIVE LINES



CLUTCH & PTO DRIVE LINES PARTS LIST

ITEM	QTY	PART NO.	DESCRIPTION
1	1	P400850-1	SIDE PTO CLUTCH HALF
2	1	P400850-2	SIDE PTO GEAR BOX HALF
3	2	P400001	CROSS 35R REPAIR KIT
4	1	P400851	YOKE AND SHAFT SIDE PTO
5	1	P400853	SHIELD OUTER SIDE PTO
6	1	P400854	SHIELD INNER SIDE PTO
7	1	P400852	YOKE AND TUBE SIDE PTO
8	1	P400511	END YOKE 1-3/8" BORE 35R
9	1	P400100-1	FRONT PTO TRACTOR HALF
10	1	P400100-2	FRONT PTO GEAR BOX HALF
11	1	P400101	SHIELD OUTER FRONT PTO
12	1	P400102	SHIELD INNER FRONT PTO
13	2	P400002	CROSS 14R REPAIR KIT
14	1	P400803	LOCK YOKE ASSEMBLY
15	1	P400036	END YOKE 1-3/8" BORE 14R
16	1	P400031	LOCK YOKE REPAIR KIT

GAUGE WHEEL



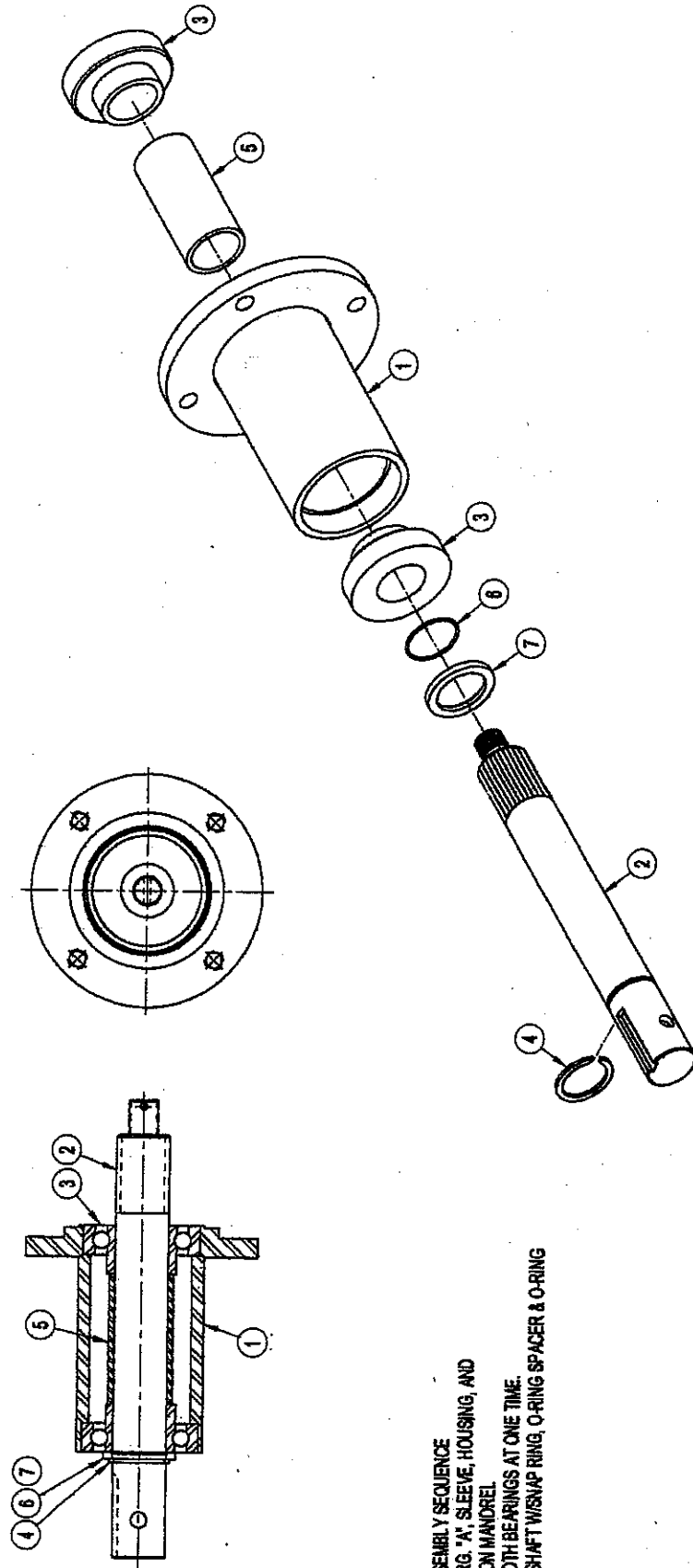
GAUGE WHEEL PARTS LIST

ITEM	QTY	PART NO.	DESCRIPTION
1	1	P756150	WHEEL AND TIRE
2	1	P103138	CASTER BOLT 9-1/2"
3	1	P157120	3/4" TOP LOCK NUT
4	1	M6817	CASTER FORK
5	1	M6521	CASTER SUPPORT ARM
6	1	M16011	CASTER SHAFT
7	1	M6415	HANDLE
8	1	P100804	1/2" X 1" HEX BOLT
9	1	P102808	1/2" X 2 FINE THD HEX BOLT
10	2	P760300	BEARING CONE
11	2	P760500	BEARING CUP
12	2	P852200	FELT WASHER
13	1	M6223	3/16" X 1/2" X 3" WASHER
14	1	P850620	1-1/4" FLAT WASHER
15	1	M5009-5	3/16" X 1/2" X 1-3/4" WASHER
16	3	P851108	1/2" LOCK WASHER
17	1	P852608	1/2" HARD WASHER
18	1	P620200	1/4"-28 STR GREASE FITTING
19	1	P158006	1/2"-13 SLOTTED HEX NUT
20	1	P116204	1/8" X 1" COTTER PIN
21	2	P150800	1/2" HEX NUT
22	1	P128324	1/2" U-BOLT
23	2	P756151	BEARING KIT COMPLETE
24	1	P756152	STEM KIT

2 P850000 Flat Washer

178814

PART NO M8814



NOTES: ASSEMBLY SEQUENCE
 1. PLACE BRG. "A", SLEEVE, HOUSING, AND BRG. "B" ON MANDREL
 2. PRESS BOTH BEARINGS AT ONE TIME.
 3. INSTALL SHAFT W/SNAP RING, O-RING SPACER & O-RING

MAR 0 4 2002

ITEM	QTY	PART NO	DESCRIPTION
7	1	M8503	1.38 O-RING SPACER
8	1	P900138	O-RING .062 X 1.38 ID
5	1	M8301	SLEEVE
4	1	P852200	1.38 SNAP RING
3	2	P009204	BALL BEARING INSERT
2	1	P855065	DRIVE SHAFT
1	1	M8815	BEARING HOUSING
			DESCRIPTION

Glennac
 P.O. BOX 2135
 JAMESTOWN, ND 58402

UNLESS OTHERWISE SPECIFIED
 TOLERANCES ON
 DECIMALS ± .XX ± .XXX ±
 FRACTIONS ±
 ANGLES ±

DATE 2-25-02 SCALE 1:3
 DRAWN BY LEM
 TITLE BEARING HOUSING ASSEMBLY PART NO M8814

REV	ECO	DATE	BY
A	0186	2-25-02	LM

ADDED ITEMS #6 & #7, REDRAWN
 REVISION