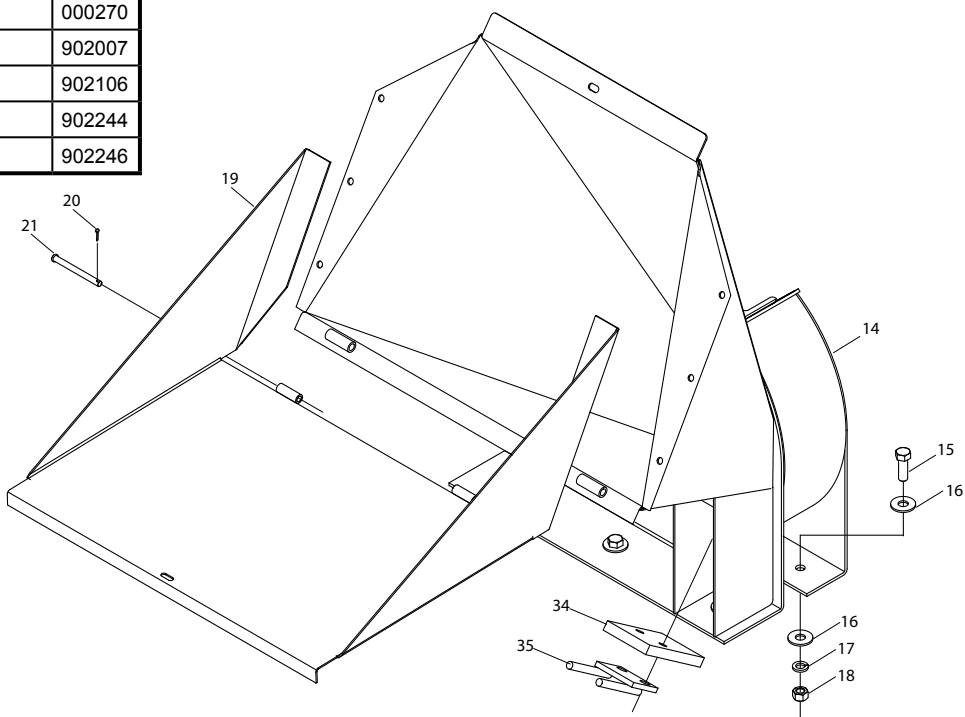
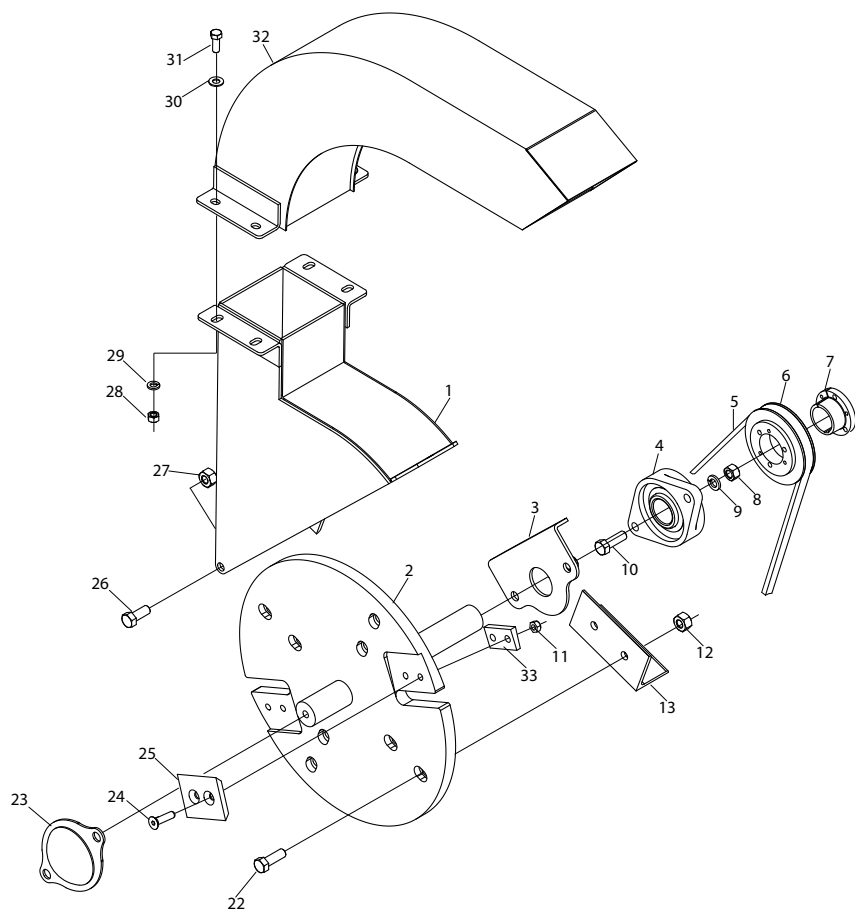
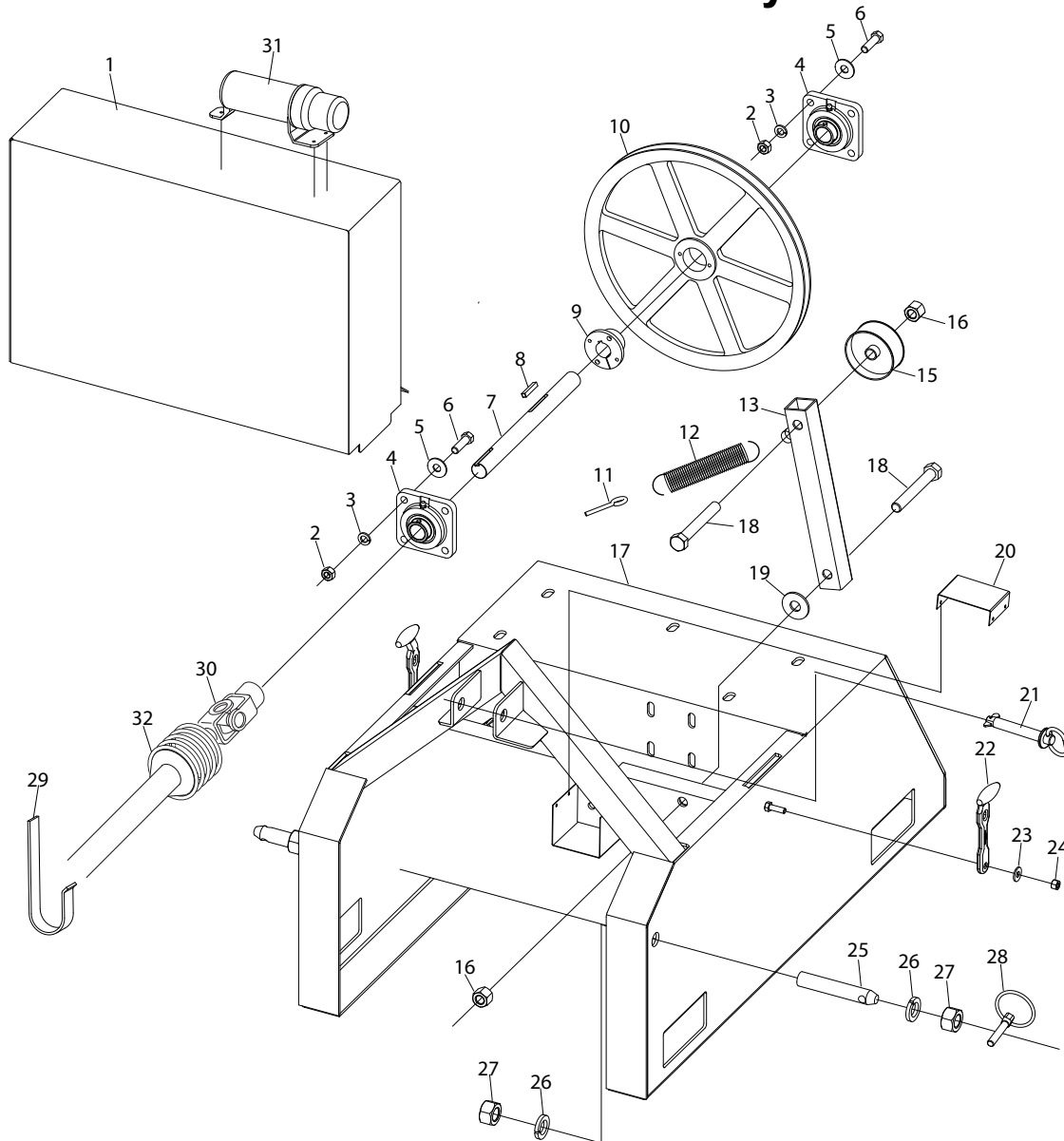


CX350 Rotor Assembly

Ref#	Description	Part#
1	Upper Rotor Housing	902004
2	Rotor Assembly	902009
3	Bearing Bracket	902008
4	Flange Bearing, 1-1/2"	900127
5	Belt, B-58	900109
6	Pulley	900201
7	Pulley Bushing w/ Bolts	900202
8	Nut, 1/2	000940
9	Lock Washer, 1/2	000840
10	Bolt, 1/2 x 1-3/4	000445
11	Steel Locknut, 3/8	900134
12	Steel Locknut, 1/2	900144
13	Rotor Paddle	902010
14	Lower Rotor Housing	902003
15	Bolt, 1/2 x 1-1/2	000435
16	Flatwasher, 1/2	001055
17	Lock Washer, 1/2	000840
18	Nut, 1/2	000940
19	Hopper Lid	902006
20	Cotter Pin, 1/8 x 1	001210
21	Hinge Pin	401523
22	Bolt, 1/2 x 1-1/2	000435
23	Rotor Shaft Shield	900859
24	Recessed Head Bolt, 3/8 x 1-1/2	900128
25	Chipper Knife	900106
26	Bolt, 1/2 x 1-1/4	000420
27	Steel Locknut, 1/2	900144
28	Nut, 3/8	000915
29	Lock Washer, 3/8	000820
30	Flatwasher, 3/8	001035
31	Bolt, 3/8 x 1	000270
32	Chip Chute	902007
33	Knife Bolt Washer	902106
34	Anvil	902244
35	Anvil Adjuster	902246



CX350 Base Assembly



Ref#	Description	Part#
1	Belt Shield	902016
2	Nut, 7/16	000935
3	Lock Washer, 7/16	000830
4	Flange Bearing, 1"	700053
5	Flatwasher, 7/16	001045
6	Bolt, 7/16 x 1-3/4	000362
7	Jack Shaft	902013
8	Key, 1/4 x 1-1/2	902017
9	Pulley Bushing	900204
10	Pulley	900203
11	Eye Bolt, 3/8 x 3-1/4	902001
12	Idler Pulley Spring	900206
13	Idler Arm	902011
14	Idler Spacer	N/A
15	Idler Pulley	900205
16	Locknut, 5/8	000972

Ref#	Description	Part#
17	Base	902002
18	Bolt, 5/8 x 4-1/2	000645
19	Flatwasher, 5/8	001075
20	PTO Guard	900857
21	Hitch Pin	903143
22	Rubber Latch	400092
23	Flatwasher, 5/16	001030
24	Locknut, 5/16	002999
25	Lift Arm Pin w/ LockWasher & Nut	900110
26	Lock Washer, 7/8	
27	Nut, 7/8	
28	Lynch Pin	500219
29	PTO Shaft Cradle	900862
30	Complete PTO Shaft	250000
31	Owner's Manual Canister	503050
	Operator's Manual, CX350	990023
32	Pto Shiled Kit, Bondioli Shaft Only	700205